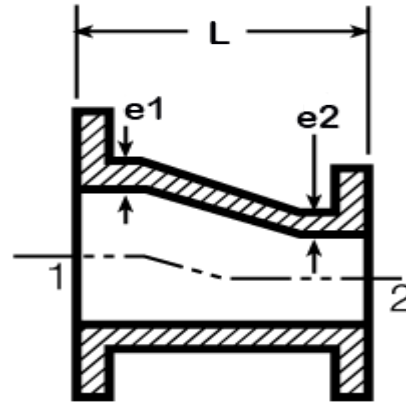


Concentric Taper



Eccentric taper

Class K :12								
Nominal Diameter		e 1	e 2	L	App. Mass (Kg)			
					Concentric		Eccentric	
					PN 10	PN 16	PN 10	PN 16
DN	dn							
100	80	7.2	7.0	200	10	10	12	12
125	80	7.5	7.0	200	14	14	17	17
125	100	7.5	7.2	200	15	15	18	18
150	80	7.8	7.0	200	17	17	20	20
150	100	7.8	7.2	200	18	18	19	22
150	125	7.8	7.5	200	19	19	17	23
200	100	8.4	7.2	300	20	20	34	26
200	125	8.4	7.5	300	21	21	32	28
200	150	8.4	7.8	300	22	22	28	28
250	125	9.0	7.5	300	30	30	36	36
250	150	9.0	7.8	300	30	30	36	36
250	200	9.0	8.4	300	31	31	37	37
300	150	9.6	7.8	300	36	38	47	48
300	200	9.6	8.4	300	38	40	48	50
300	250	9.6	9.0	300	40	42	49	52
350	200	10.2	8.4	300	48	51	58	61
350	250	10.2	9.0	300	49	52	59	64
350	300	10.2	9.6	300	50	53	60	64
400	200	10.8	8.4	300	57	65	68	78
400	250	10.8	9.0	300	58	66	70	79
400	300	10.8	9.6	300	59	67	71	80
400	350	10.8	10.2	300	60	68	72	82
450	250	11.4	9.0	300	68	81	82	97
450	300	11.4	9.6	300	69	82	83	98
450	350	11.4	10.2	300	70	83	84	100
450	400	11.4	10.8	300	71	84	85	101
500	300	12.0	9.6	600	110	128	132	154
500	350	12.0	10.2	600	111	130	133	156

Contd. TABLE

Nominal Diameter		e 1	e 2	L	App. Mass (Kg)			
					Concentric		Eccentric	
					PN 10	PN 16	PN 10	PN 16
500	400	12.0	10.8	600	113	133	136	160
500	450	12.0	11.4	600	116	144	140	173
600	350	13.2	10.2	600	148	182	178	218
600	400	13.2	10.8	600	150	185	180	222
600	450	13.2	11.4	600	152	189	182	227
600	500	13.2	12.0	600	154	193	185	232
700	400	14.4	10.8	600	197	226	236	271
700	450	14.4	11.4	600	198	230	238	276
700	500	14.4	12.0	600	200	235	240	282
700	600	14.4	13.2	600	204	241	245	290
750	450	15.0	11.4	600	213	250	256	300
750	500	15.0	12.0	600	215	255	258	306
750	600	15.0	13.2	600	220	260	264	312
750	700	15.0	14.4	600	234	270	281	324
800	450	15.6	11.4	600	254	280	305	336
800	500	15.6	12.0	600	256	284	307	341
800	600	15.6	13.2	600	260	288	312	346
800	700	15.6	14.4	600	263	292	316	350
900	500	16.8	12.0	600	310	345	372	414
900	600	16.8	13.2	600	315	348	378	418
900	700	16.8	14.4	600	320	352	384	422
900	800	16.8	15.6	600	325	360	390	432
1000	600	18.0	13.2	600	380	420	456	504
1000	700	18.0	14.4	600	385	425	462	510
1000	800	18.0	15.6	600	390	435	468	522
1000	900	18.0	16.8	600	393	450	472	540
1100	700	19.2	14.4	600	455	515	546	618
1100	800	19.2	15.6	600	460	525	552	630
1100	900	19.2	16.8	600	465	540	558	648
1100	1000	19.2	18.0	600	474	550	569	660
1200	700	20.4	14.4	790	597	685	716	822
1200	800	20.4	15.6	790	600	695	720	834
1200	900	20.4	16.8	790	605	700	726	840
1200	1000	20.4	18.0	790	614	710	737	852
1200	1100	20.4	19.2	790	640	740	768	888
1400	800	22.8	15.6	850	825	930	990	1116
1400	900	22.8	16.8	850	830	935	996	1122
1400	1000	22.8	18.0	850	840	950	1008	1140
1400	1100	22.8	19.2	850	850	960	1020	1152
1400	1200	22.8	20.4	850	859	980	1031	1176

NOTE : 1. Size & Dimensions in **RED** are non standard as per IS 9523-2000
 2. Taper in combination of sizes other then above can also be against specific requirement.