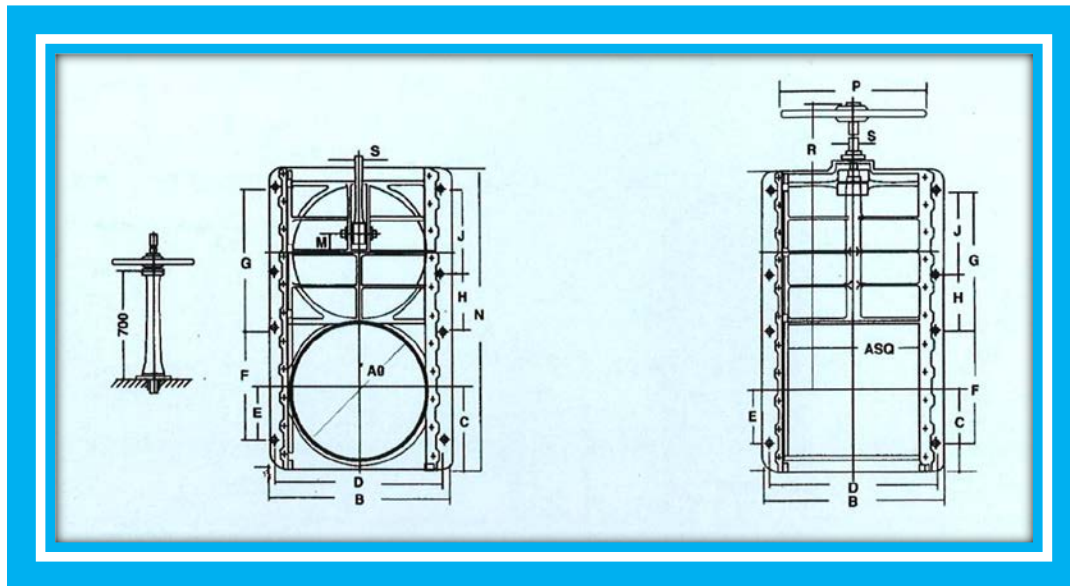


A	B	C	D	E	F	G	H	J	K	L	M	N	S	P
200	30	730	360	160	225	50	50	400	205	320	120	140	320	15
250	38	835	410	185	275	50	50	480	215	370	140	165	375	15
300	40	960	480	230	325	50	65	555	240	430	165	195	395	15
350	45	1120	595	275	385	65	75	680	275	530	195	245	495	20
450	45	1315	685	315	385	65	75	800	330	620	250	280	565	20
500	45	1475	755	350	535	65	80	895	380	685	280	310	630	20
550	50	1575	805	375	585	65	80	975	405	735	305	335	680	20
600	50	1675	875	400	640	65	80	1050	465	795	330	360	735	22

NO.	DESCRIPTION	MATERIALS & SPEFCATION
01.	Frame	C.I., IS : 210 FG 200
02.	Door	C.I., IS : 210 FG 200
03.	Guide Strip	C.I., IS : 210 FG 200
04.	Hand Wheel	C.I., IS : 210 FG 200
05.	Head Stock	C.I., IS : 210 FG 200
06.	Spindle	S.S. 410/304/MS
07.	Frame Face Ring	G.M. LTB-2, IS : 318/81
08.	Door Face Ring	G.M. LTB-2, IS : 318/81
09.	Guide	G.M. LTB-2, IS : 318/81
10.	Spindle Nut	H.T.B., IS : 320/80
11.	Bolts & Nut	Carbon Steel IS : 1367
12.	Extn. Rod	M.S. / S.S.
13.	Coupling	C.I., IS : 210 FG 200
14.	Guide Bracket	C.I., IS : 210 FG 200

RANGE AND RATINGS OF SLUICES		
Class	Size	Water Pressure (Seating) In M/Head (Max)
1	200 to 300	6.0
	350 to 450	4.5
	500 to 600	3.0
2	200 to 600	1.5

- All dimension are in mm.
- Sluice gate shall be tested in the shop for smooth working of the component parts.
- Operation can be manual (Spur, Bevel or Worm Gear) or through an actuator.



A	B	C	D	E	F	G	H	J	K	L	M	N	S	P	R
200	465	215	415	70	420	----	----	----	85	95	----	700	32	225	630
250	465	215	415	70	420	----	----	----	85	95	----	700	32/40	375	630
300	515	240	465	85	475	----	----	----	85	95	----	800	40	375	725
450	710	325	660	145	380	380	----	----	85	95	----	45/48	450	450	995
600	890	405	825	240	535	535	----	----	85	95	----	1145	50/55	750	1260
450	1065	490	990	305	710	710	----	----	115	100	95	1765	55/58	750	1470
825	1145	530	1065	345	710	890	----	----	115	105	115	1920	58	900	1615
900	1120	565	1150	375	760	950	----	----	140	105	115	2070	58/60	900	1735
1050	1370	657	1295	475	760	1330	570	760	150	115	----	2425	60/65	900	2055
1200	1525	735	1445	535	915	1425	585	840	175	120	----	2715	65	900	2310

NO.	DESCRIPTION	MATERIALS & SPECN.
01.	Frame	C.I., IS : 210 FG 200
02.	Door	C.I., IS : 210 FG 200
03.	Guide Strip	C.I., IS : 210 FG 200
04.	Hand Wheel	C.I., IS : 210 FG 200
05.	Head Stock	C.I., IS : 210 FG 200
06.	Spindle	M.S. / S.S.
07.	Frame Face Ring	LTS 2., IS : : 318/81
08.	Door Face Ring	LTS 2., IS : : 318/81
09.	Tape Strips	LTS 2., IS : : 318/81
10.	Sleeve Thd. Bush	H.T.B., IS : 320/80
11.	Stem Nut	H.T.B., IS : 320/80
12.	Studs & Nuts	Carbon Steel
13.	Door Pin & Nut	Carbon Steel
14.	Guide Bracket	M.S. Fabricated
15.	Coupling	M.S.
16.	Extn. Rod	
17.	Thrust Bearing	
18.	Spindle Guide	
19.	Greash Port	

RANGE AND RATINGS OF SLUICES			
Class	Spindle Type	Size	Water Pressure (Seating) In M/Head (Max)
1	Rising & Non Rising	200 to 300	6.0
		350 to 450	4.5
		500 to 600	3.0
2	Rising	200 to 1200	1.5
2	Rising & Non Rising	300 X 375 to 1050 X 1200	1.5

- All dimension are in mm.
- Sluice gate shall be tested in the shop for smooth working of the component parts.
- Operation can be manual (Spur, Bevel or Worm Gear) or through an actuator.