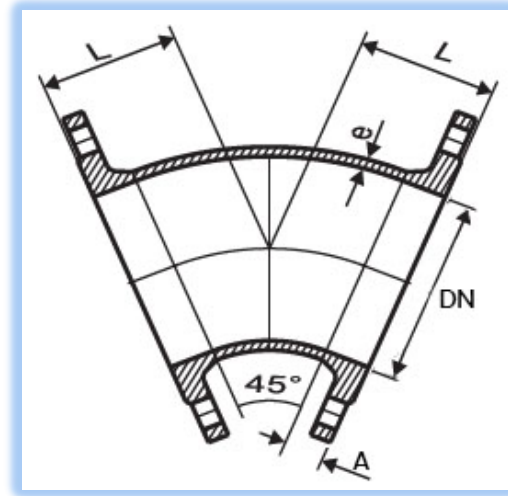


90deg Bend



45deg Bend

Nominal Dia. (DN)	Thickness e	A	90deg Bend			45deg Bend		
			r	L	Mass	r	L	Mass
80	10.0	43.0	137.0	180	13	331	180	14
100	10.5	45.0	155.0	200	17	374	200	18
125	11.1	47.0	177.5	225	23	429	225	25
150	11.7	50.0	200.0	250	31	483	250	34
200	12.8	55.0	245.0	300	49	591	300	54
250	14.0	60.0	290.0	350	72	700	350	80
300	15.2	65.0	335.0	400	100	809	400	112
350	16.3	70.0	380.0	450	137	550	298	115
400	17.5	75.0	425.0	500	181	600	324	149
450	18.7	80.0	470.0	550	226	650	349	185
500	19.8	85.0	515.0	600	290	700	375	231
600	22.2	95.0	605.0	700	442	800	426	342
700	24.5	105.0	695.0	800	639	900	478	485
750	25.6	110.0	740.0	850	755	950	503	572
800	26.8	115.0	785.0	900	890	1000	529	667
900	29.1	125.0	875.0	1000	1179	1100	581	868
1000	32.5	135.0	965.0	1100	1544	1200	682	1125
1100	32.6	140.0	110.0	1150	1760	1250	658	1275
1200	33.8	145.0	1055.0	1200	1968	1300	683	1421
1400	36.2	155.0	1145.0	1300	2474	1400	735	1771
1500	43.2	185.0	1415.0	1600	3423	1700	889	2460