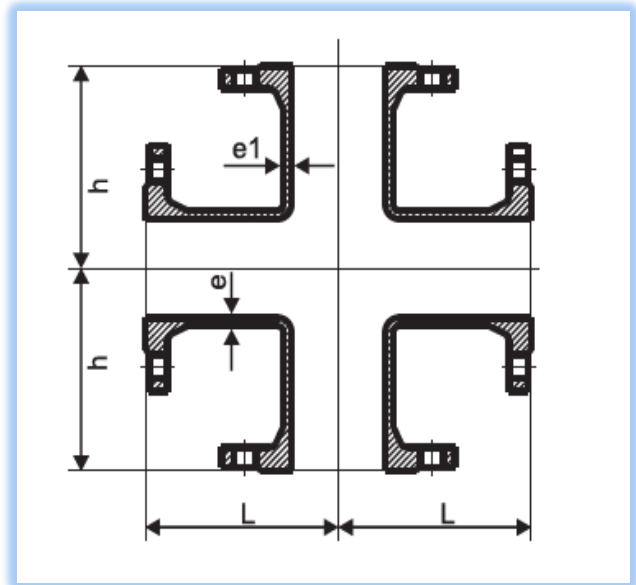


All Socket Cross



All Flange Cross

Nominal Diameter	e / e1	All Socket Cross			All Flange Cross		
		h+h	L	App. Mass	h+h	L	App. Mass
80	10.0	212	106.0	30	360	180	27
100	10.5	240	120.0	39	400	200	34
125	11.1	275	137.5	52	450	225	46
150	11.7	310	155.0	67	500	250	60
200	12.8	380	190.0	102	600	300	93
250	14.0	450	225.0	145	700	350	135
300	15.2	520	260.0	197	800	400	180